

EXP-155

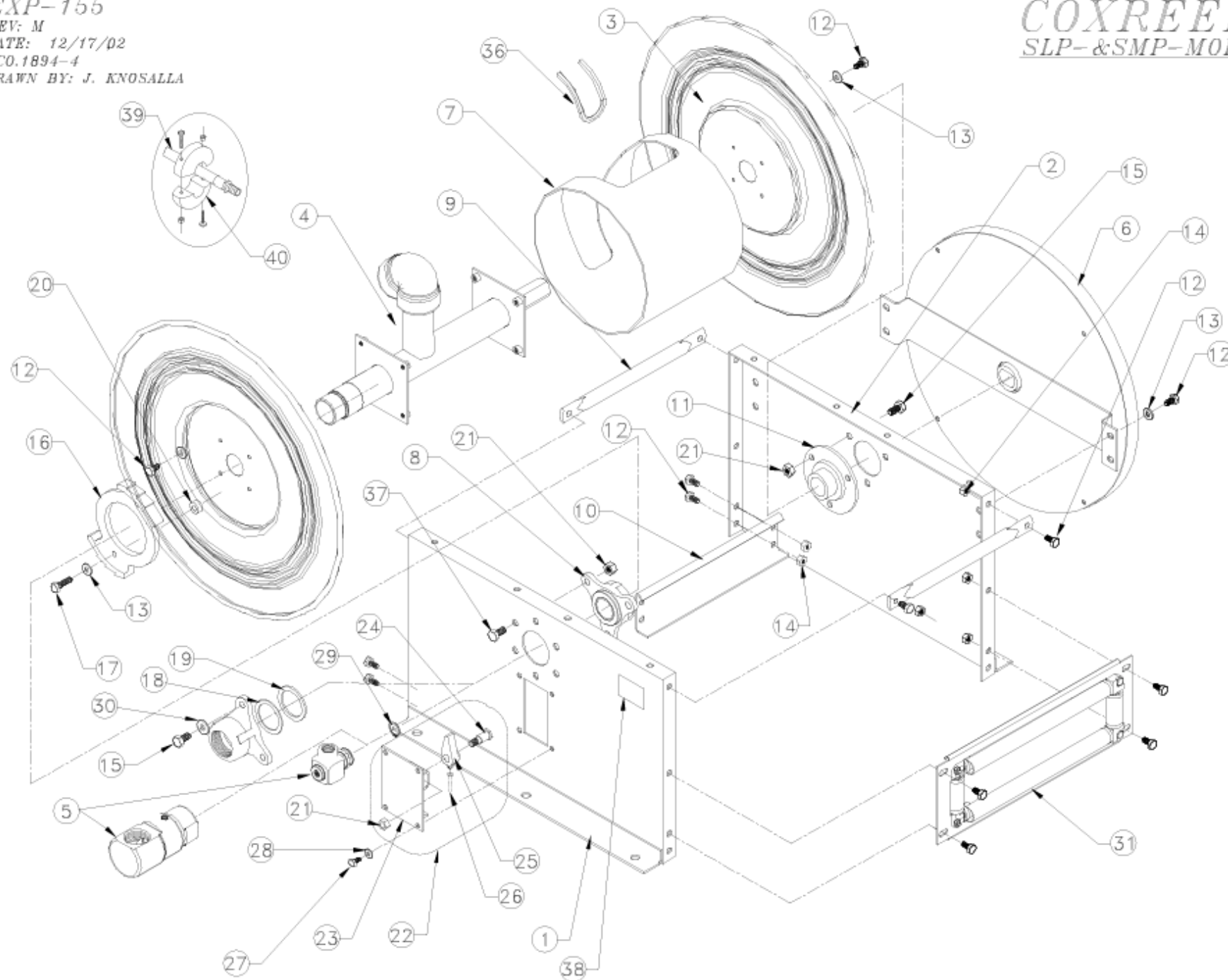
REV: M

DATE: 12/17/02

ECO.1894-4

DRAWN BY: J. KNOSALLA

COXREELS
SLP- & SMP-MODELS



COMMON PARTS TO ALL SERIES SLP,SMP SERIES REELS

ITEM NO.	PART NO.	DESCRIPTION	QTY REQ'D
11	20300	ASSEMBLY, BEARING	1
12	312	BOLT, 5/16-18 X 3/4" LG	18
13	112	WASHER, LOCK, 5/16"	12
14	111	NUT, LOCK, 5/16-18	8
16	20194	RING, LOCKING	1
17	10218	BOLT, 5/16-18 X 2-1/2" LG	2
20	20780	SPACER	2
21	435	NUT, LOCK, 3/8-16	7
22	20000	ASSY, LOCKING BRACKET	1

ITEM NO.	PART NO.	DESCRIPTION	QTY REQ'D
23	639	BRACKET, LOCKING	1
24	1620	BOLT, SHOULDER	1
25	640	CAM, LOCKING	1
26	20019	SPRING, TENSION	1
27	113	BOLT, 1/4-20 X 1/2"	4
28	114	WASHER, LOCK, 1/2"	4
36	7460-14	TRIM, DRUM EDGE	1
37	20016	BOLT, 3/8-16 X 1"	3
38	10925-5	NAMEPLATE, PRODUCT	1

ITEM NUMBER

MODEL NO.	1	2	3	4 **	5 **	6	7	8 **	9	10	15	18	19	29**	30	31	39 *	39 *	40 *
	PANEL	PANEL	DISC (2)	PLUMBING	SWIVEL	SPRING	DRUM	BEARING	BAR (2)	RAIL	BOLT (3)	WASHER	R. RING	R. RING	WSHR (3)	R. BRKT	STD HOSE	FUEL HOSE	B. STOP
SLP-4100	20224	20222	7799	7811	439	15240	7800-7.5	20276	20244-7.5	20385-7.5	-	-	-	153	-	8100-7.5	5154-100	-	131-4
SLP-550	20224	20222	7799	7812	426	20462	7800-7.5	20277	20244-7.5	20385-7.5	-	-	-	15015	-	8100-7.5	5155-50	5097-50	430
SLP-575	20230	20228	7603-1	7812	426	15243	7800-7.5	20277	20244-7.5	20385-7.5	-	-	-	15015	-	8100-7.5	5155-75	5097-75	430
SLP-5100	20230	20228	7603-1	7812	426	15233	7800-7.5	20277	20244-7.5	20385-7.5	-	-	-	15015	-	8100-7.5	5155-100	5097-100	430
SLP-625	20224	20222	7799	7813	15257-1	20429	7816-7.5	20996	20244-7.5	20385-7.5	-	-	-	15012	-	8101-7.5	5096-25	5092-25	20214
SLP-650	20230	20228	7603-1	7813	15257-1	20428	7816-7.5	20996	20244-7.5	20385-7.5	-	-	-	15012	-	8101-7.5	5096-50	5092-50	20214
SLP-675	20236	20234	7627-1	7813	15257-1	15236	7816-7.5	20996	20244-7.5	20385-7.5	-	-	-	15012	-	8101-7.5	5096-75	5092-75	20214
SLPL-725	20230	20228	7603-1	7814	20288	20429	7816-7.5	20281	20244-7.5	20385-7.5	436	20264	20266	-	437	8101-7.5	-	-	-
SLPL-750	20236	20234	7627-1	7814	20288	20431	7816-7.5	20281	20244-7.5	20385-7.5	436	20264	20266	-	437	8101-7.5	-	-	-
SLPL-825	20230	20228	7603-1	7814	20288	15244	7816-7.5	20281	20244-7.5	20385-7.5	436	20264	20266	-	437	8101-7.5	-	-	-
SLPL-835	20236	20234	7627-1	7814	20288	15244	7816-7.5	20281	20244-7.5	20385-7.5	436	20264	20266	-	437	8101-7.5	-	-	-
SLPL-850	20236	20234	7627-1	7814-1	20288	20468	7816-9.5	20281	20244-9.5	20385-9.5	436	20264	20266	-	437	8101-9.5	-	-	-

MODEL NO.	1	2	3	4	5	6	7	8	9	10	15	18	19	29	30	31	39	39	40
	PANEL	PANEL	DISC	PLUMBING	SWIVEL	SPRING	DRUM	BEARING	BAR	RAIL	BOLT	WASHER	R. RING	R. RING	WASHER	R. BRKT	STD HOSE	FUEL HOSE	B. STOP
SMP-4100	20224	20222	7799	7811	439	15237	7800-7.5	20276	20244-7.5	20385-7.5	-	-	-	153	-	8100-7.5	5256-100	-	131-4
SMP-550	20224	20222	7799	7812	426	15238	7800-7.5	20277	20244-7.5	20385-7.5	-	-	-	15015	-	8100-7.5	5290-50	-	430
SMP-575	20230	20228	7603-1	7812	426	15236	7800-7.5	20277	20244-7.5	20385-7.5	-	-	-	15015	-	8100-7.5	5290-75	-	430
SMP-5100	20230	20228	7603-1	7812	426	15233	7800-7.5	20277	20244-7.5	20385-7.5	-	-	-	15015	-	8100-7.5	5290-100	-	430
SMPL-625	20224	20222	7799	7813	15257-1	15234	7816-7.5	20996	20244-7.5	20385-7.5	-	-	-	15012	-	8101-7.5	-	-	-
SMPL-650	20230	20228	7603-1	7813	15257-1	20431	7816-7.5	20996	20244-7.5	20385-7.5	-	-	-	15012	-	8101-7.5	-	-	-
SMPL-675	20236	20234	7627-1	7813	15257-1	15236	7816-7.5	20996	20244-7.5	20385-7.5	-	-	-	15012	-	8101-7.5	-	-	-

* ON "LESS HOSE" MODELS (SLPL-/SMPL-) EXCLUDE ITEMS #39, AND #40.

NOTE: MODELS SUPPLIED WITH "FUEL" HOSE (SLPF-) USE ITEM #39 HOSE NUMBERS AS NOTED ABOVE.

** WHEN USING OPTION (-BUXX) FOR EXTERNAL SWIVEL ON SLPL-725 THRU SLPL-850, SUBSTITUTE THE FOLLOWING ITEMS.

ITEM #4 PLUMBING #7815 (SLPI-725 THRU SLPL-835) OR 7815-1 (SLPL-850)

ITEM #5 SWIVEL #20253-1

ITEM #8 BEARING #20257

ITEM #29 R. RING #20252